



MODULAR VALVE SYSTEM

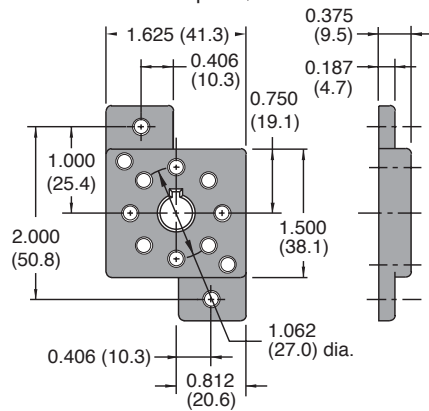


Mounting Subplates provide mounting for up to three modular valves, and provide various port options. Very compact size, lightweight, easy-to-mount, and valves are easily replaced.

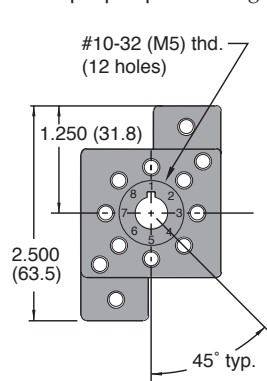
Part No.	No. of Valves	Ports	Length	Width	Height	Mounting
CM-04	1	#10-32	3.00"	3.00"	0.625"	(2) 0.196" dia.
CM-02	1	1/8" NPT	3.50"	3.00"	0.625"	(2) 0.196" dia.
CM-036	2	1/8" NPT	7.00"	3.00"	0.625"	(4) 0.196" dia.
CM-037	3	1/8" NPT	10.75"	3.00"	0.625"	(4) 0.196" dia.

Subplate Dimensions

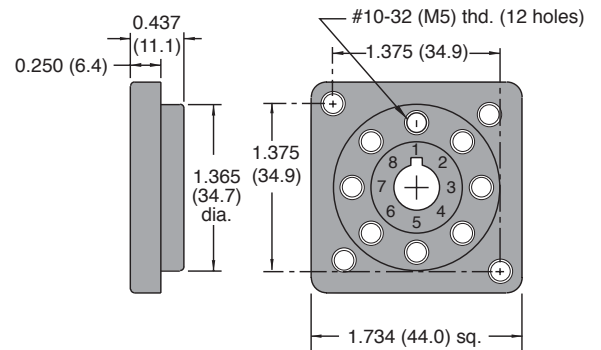
R-101/R-101-M5 subplate mounts to mounting strips with #10-32 screws and lockwashers provided. Ports on module base are numbered in the same pattern as on the subplate, making piping easy to identify. Module stem is keyed to fit center hole in subplate; assures fast insertion and proper positioning.



R-101 & R-101-M5 (metric)



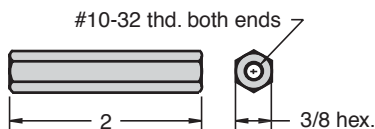
R-111 & R-111-M5 (metric)



R-111/R-111-M5 subplate mounts in 1 3/8" (34.9) hole in electrical box, control panel. Mounting screws and gasket provided seal subplate to mounting plate.

Mounting Strips & Stand-Off Dimensions

R-107-20



For providing space beneath assembled group of modules, use **R-106** (order **R-107-20**, packet of four with hardware). Provides 2" clearance from enclosure wall for piping with Clippard fittings and tubing. Keeps piping and installation neat.

When subplates are mounted to mounting strips, the components build into a strong, rigid assembly. Because of extra tolerance in the holes, note that strips may be adjusted before screws are fully tightened. This permits accurate alignment of subplates. The identifying number following the second dash in the part number indicates the number of modules the strip will accommodate while still providing a short extension with one hole at both ends for using in mounting the assembly to stand-offs or other structures. The strip will accommodate 1 additional module if no extensions are needed. (Every two holes will accept a subplate.)

